

## Features of the Range:

Polar Refrigeration's range Polar Pro consists of general purpose professional use refrigeration products.

Polar Pro is ideal for a wide variety of environments, from commercial kitchens and restaurants to delicatessens and coffee shops.

Features of the range include aluminium interiors, lockable doors, off cycle defrost and LED digital displays. These models provide a great value for money solution.



## Features and Benefits:

- Constant LED display of temperature
- Fan assisted cooling, helps maintain consistent temperature
- The unit is compatible with a wide range of Gastronorm Pans
- Automatic defrost regularly defrosts the evaporator in a refrigerator or freezer saving time in a kitchen
- Adjustable shelves

## Optional Extras

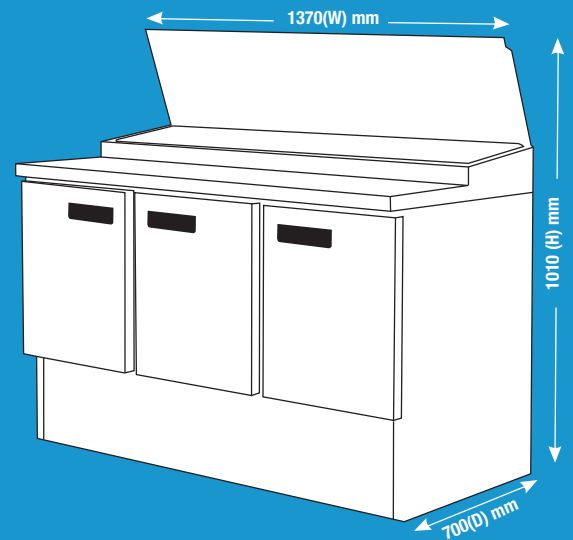
Additional shelves	No
Additional runners	Yes
Seal Replacements Available	Yes
Other Finishes Available	None

## Specification:

Code	G605
Fridge Type	Prep Counter
Capacity	436 Ltr
Gastronorm Compatible	Yes
Number of Shelves	3
Door Type	Solid
Internal Material	Stainless Steel
External Material	Stainless Steel
Temperature Range	2°C to 8°C
Ambient Temperature Range	5°C to 32°C
Refrigerant	R600a
Defrost System	Off Cycle Fan Assisted

## G605

## Dimensions:



Voltage/Power	230V/50HZ
Cooling System	Fan Assisted
Insulation Thickness	35mm
Weight	140KG
Rollers, Feet or Castors	Feet
Control Panel	Digital
Noise Level	-
Lockable	No
Hinge Side	N/A
Depth with Door Open	1085mm
Energy Consumption (KWH/Year)	1095